

Microwave Motion Sensor (MS701)

User Manual

The product is a highly sensitive, high performance product that serves to control similar devices for the opening and closing of automatic doors by detecting the movement of humans or objects. For the safe and accurate use of the product, please read this instruction manual carefully.

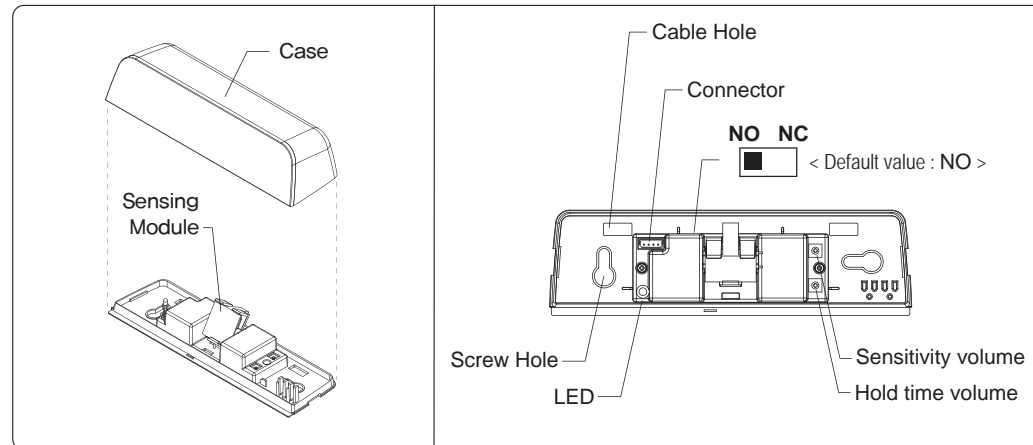
- MS701 detects the motions of a human body or an object by using the Microwave module at 24.125GHz
- DC 12V ~ 30V / AC 12V ~ 24V power supply
- Higher or lower detection levels can be set depending on sensitivity adjustments.
- As this product operates by motions of an object in the range of detection, install it with care.



1 Technical specifications

Composition	Microwave Motion Sensor	1EA
	Screw	2EA
	Mounting Template	1EA
	Cable	1EA
	Instructions	1Copy
Specification	Power supply	DC12~30V, AC12~24V
	Current consumption	150mA(DC12V, +25°C)
	Microwave module	24.125GHz
	Contact capacity	0.5A/125VAC, 1A/24VDCVDC
	Hold time	1.2 ~ 20 Sec. (Standard:1.2Sec.)
	Max Install height	3.0M
	Detecting feild	4*3 (W*D) (Height 2.2M)
	Operating Tem/Humi	-20°C~+50°C/0~90% (Non condensing)

2 General Information



3 Installation Guide

1 Apply mounting template to transom and make holes.



2 Fix the case to the wall



3 Connect power line to sensor main body



4 Tilt angle up or down to change sensing field.



Caution

Do not supply the power during engineering work of installation. Do not disassemble or modify the device, it may cause fire or electric shock

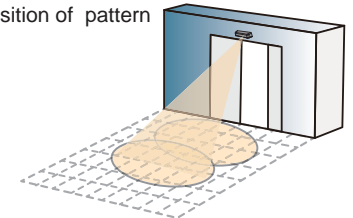
4 Sensitivity Adjustment

Sensitivity is adjustable by setting volume on the main body

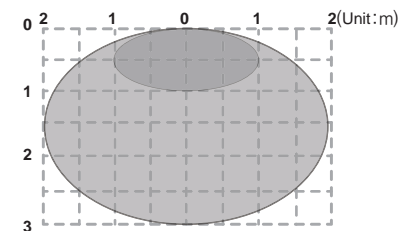


5 Sensing Feild

Changing position of pattern

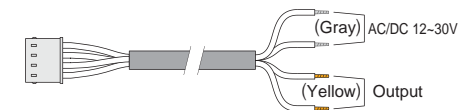


6 Detection Field (Mounting Height : 2.2m)



7 Wiring diagram

2 power lines & 2 relay contact lines.



8 Mounting Information

1 Avoid moving objects close to the sensor



2 Avoid heavy rain and snow



3 Avoid vibration



4 Avoid fluorescent light sources

